

Masport[®] Heating

FREESTANDING WOOD FIRES

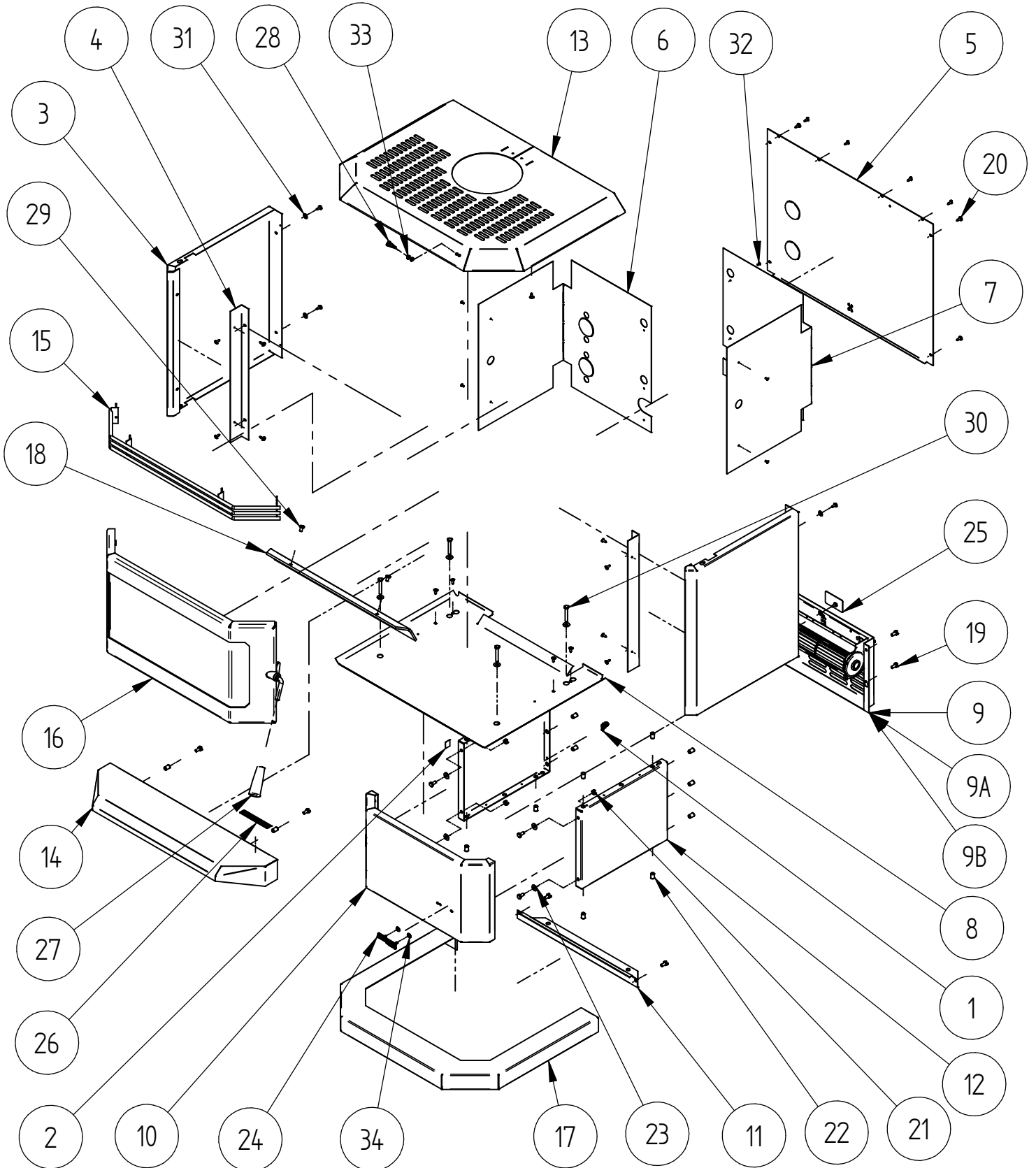
HESTIA CLEAN AIR - AUSTRALIA

Item No.	MARKET	FUEL TYPE	FINISH	YEAR	FAN
HCAHWBK*	AU	HARDWOOD	Matt Black Enamel	Jan-2008	Optional
992910				Sep-2010	
992917				Jun-2011	Yes
992919				May-2014	

*LOGAIRE BRAND



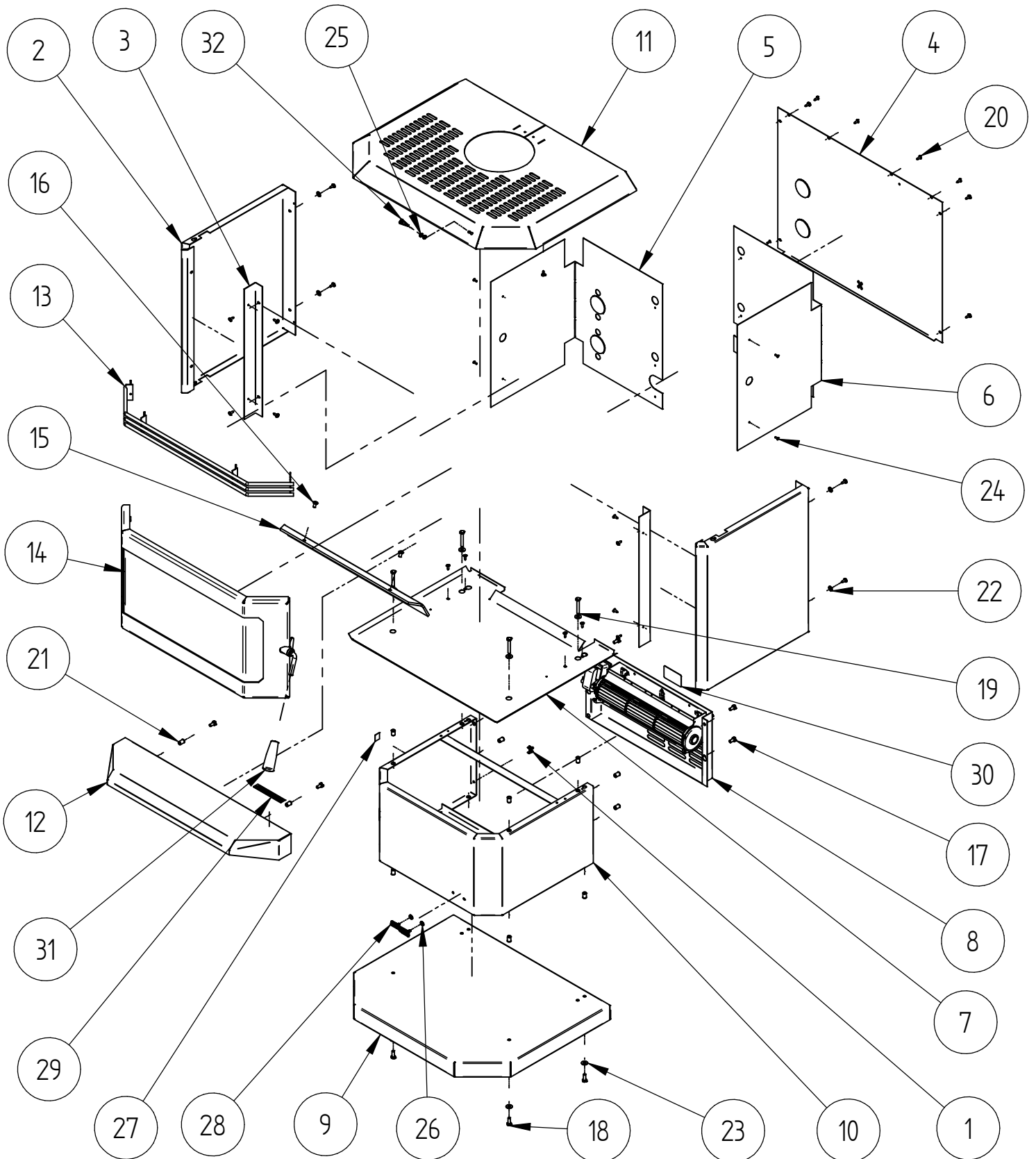
PANELS, DOOR AND PEDESTAL (Pre-2013)



PANELS, DOOR AND PEDESTAL (Pre-2013)						
Item	Part ID	Model(s)			Description	Qty
		HCAHWBK	992910	992917		
1	993789	-N/A-	-N/A-	-	EARTH CONNECTION SET R1500 AUS	1
2	585631	-N/A-	-N/A-	-	DECAL EARTH	1
3	HBA00006	E01	E01	E01	HBA SIDE PANEL	2
4	ATN00009	V02	V02	V02	ATN SIDE PANEL ANGLE	2
5	HBA00012	-	-	-	HBA REAR HEAT SHILED	1
6	HBA00039	-	-	-	HBA INNER HEAT SHIELD	1
7	HBA00040	-	-	-	HBA R/H INNER HEAT SHIELD	1
8	HBA00176	-	-	-	HBA BASE HEAT SHIELD	1
9	HBA00181	-N/A-	-N/A-	P02	FAN ASSY COMP FERGAS HESTIA BLK PC	1
9A	FANAC001	-	-N/A-	-N/A-	HESTIA CONVECTION FAN	1
9B	HBA00180	-N/A-	P02	-N/A-	FAN ASSY COMPL HESTIA FERGAS BLK PKD	1
10	ATN00177	E01	E01	E01	ATN PEDESTAL FRONT	1
11	HBA00179	P02	P02	P02	HBA PEDESTAL STIFFENER	1
12	ATN00178	E01	E01	E01	ATN PEDESTAL SIDES	2
13	HBAAC001	E01	E01	E01	HBA TOP PANEL COMPLETE	1
14	HBAAC011	E01	E01	E01	HBA ASH SHELF ASSEMBLY	1
15	HBAAC017	-	-	-	HBA LOUVRE ASSEMBLY	1
16	HBAAC730	E01	E01	E01	HBA FINISHED DOOR ASSEMBLY	1
17	HBA00025	E01	E01	E01	HBA PEDESTAL BASE	1
18	HCAHW126	-	-	-	HCAHW LOWER PLATE	1
19	521075	-	-	-	SCREW; M6X12 HEX ZP	12
20	521645	-	-	-	SCREW; S/T 8GX1/2" MUSH FLANGE POZI BLK	26
21	522117	-	-	-	NUT; HEX STD M6 ZP	4
22	522611	-	-	-	NUT; RIVNUT THN/SHT M6X13.5	16
23	523036	-	-	-	WASHER; FLAT 1/4"X5/8" BLK	8
24	587835	-	-	-	BADGE MASPORT HEATING	1
25	594786	-	-	-	DECAL FAN OPERATION	1
26	595695	-	-	-	DECAL "BURN ONLY" COMBINED NZ/AUS	1
27	MIC00376	-	-	-	MIC DOOR HANDLE	1
28	MIC00744	-	-	-	MIC HILO BADGE	1
29	521045	-	-	-	SCREW; M6X10 PAN POZI BLK	2
30	521077	-	-	-	SCREW; M6X40 HEX ZP	4
31	523004	-	-	-	WASHER; FLAT 1/4"X1/2"X1/16" FIBRE	4
32	524008	-	-	-	RIVET; 73 MS 4-2	7
33	526008	-	-	-	CLIP; STARLOCK M3	2
34	526009	-	-	-	CLIP; STARLOCK M4	2

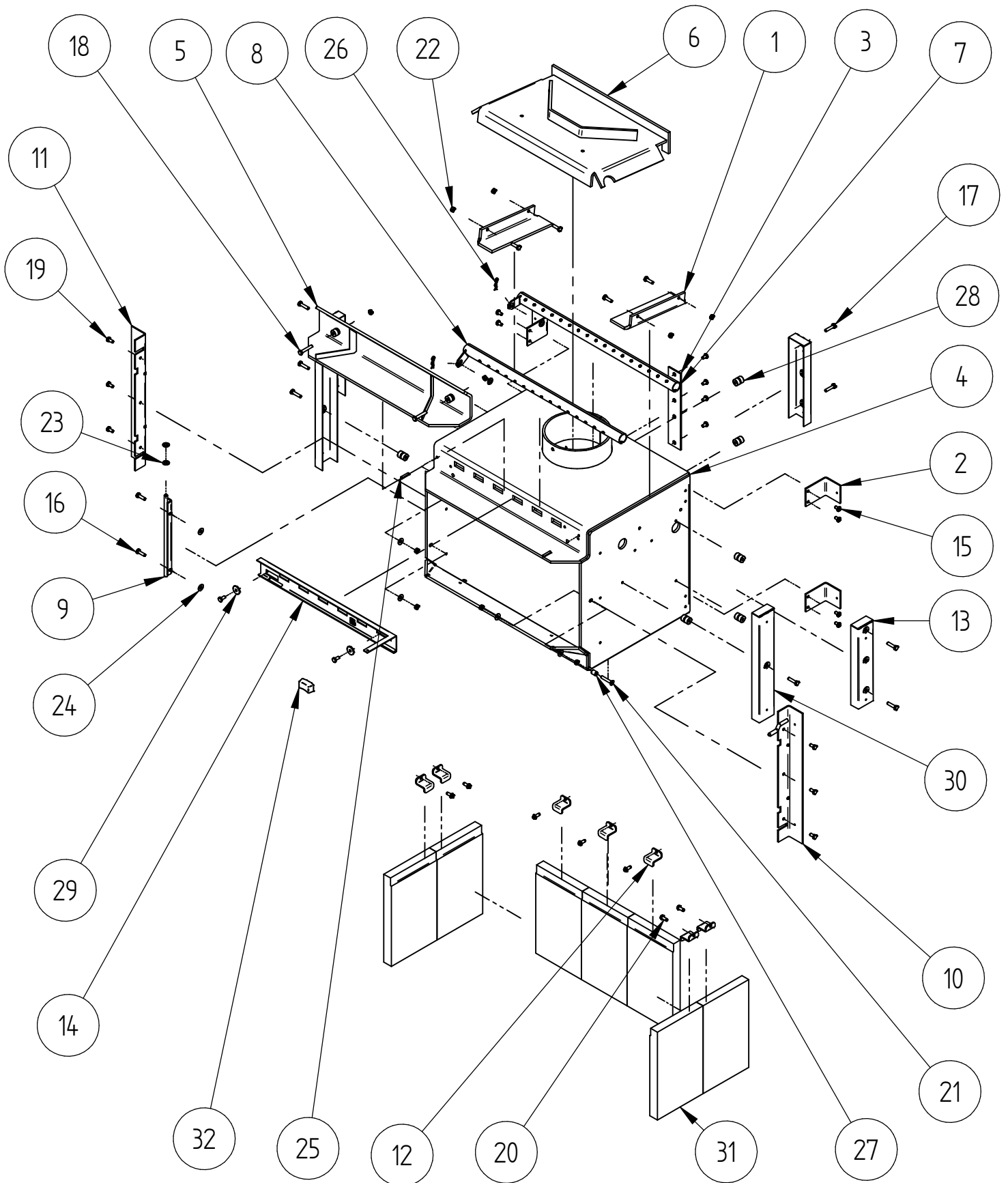
*Optional Sale Kit

PANELS, DOOR AND PEDESTAL (2013 Onwards)



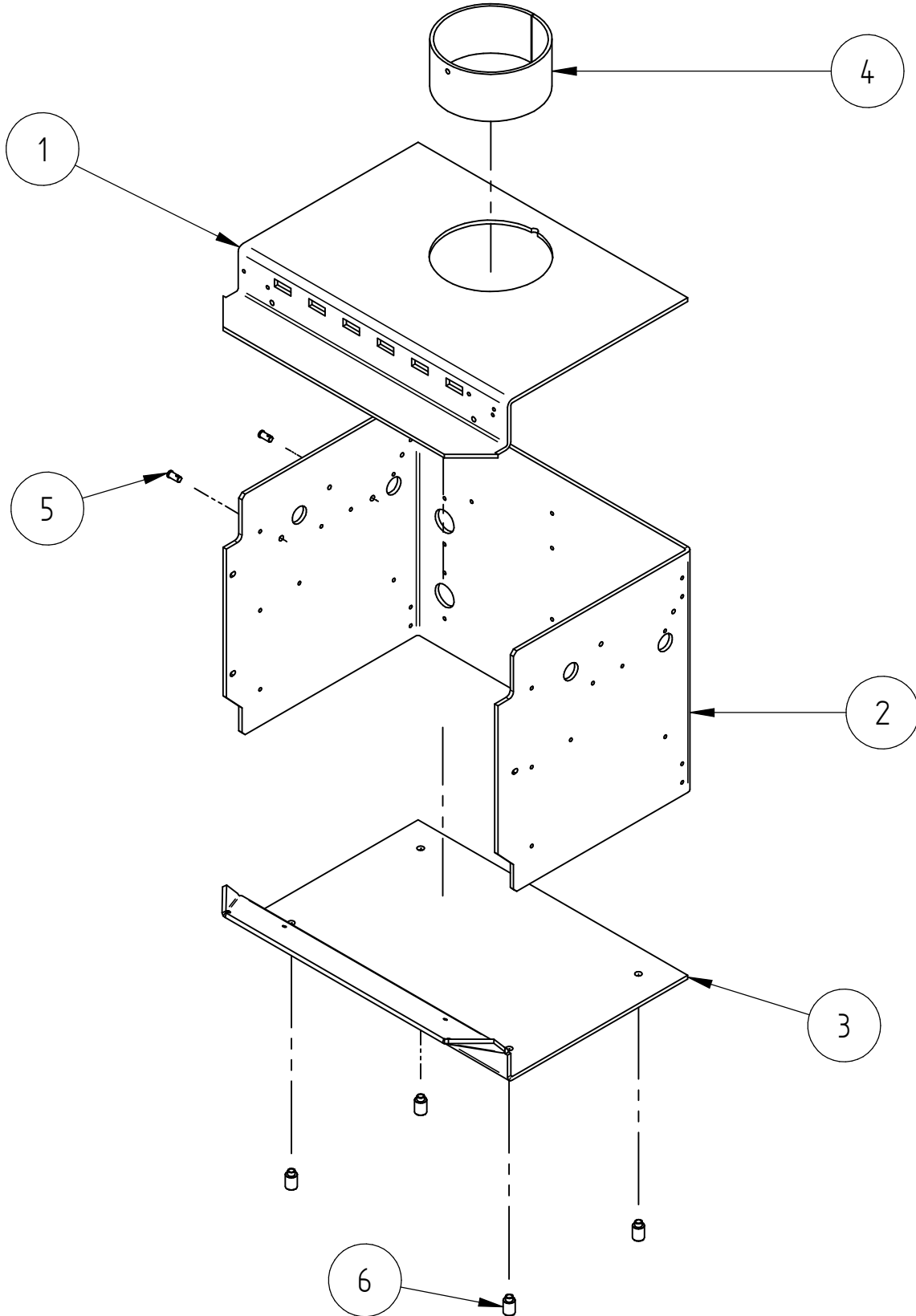
PANELS, DOOR AND PEDESTAL (2013 Onwards)				
Item	Part ID	Model(s)	Description	Qty
		992919		
1	596603	-	EARTH TAB RIVET BN11	1
2	HBA00006	E01	HBA SIDE PANEL	2
3	ATN00009	V02	ATN SIDE PANEL ANGLE	2
4	HBA00012	-	HBA REAR HEAT SHILED	1
5	HBA00039	-	HBA INNER HEAT SHIELD	1
6	HBA00040	-	HBA R/H INNER HEAT SHIELD	1
7	HBA00176	-	HBA BASE HEAT SHIELD	1
8	HBA00181	P02	FAN ASSY COMP FER GAS HESTIA BLK PC	1
9	ATN00174	P02	ATN PEDESTAL BASE	1
10	ATNAC175	P02	ATN PEDESTAL ASSEMBLY	1
11	HBAAC001	E01	HBA TOP PANEL COMPLETE	1
12	HBAAC011	E01	HBA ASH SHELF ASSEMBLY	1
13	HBAAC017	-	HBA LOUVRE ASSEMBLY	1
14	HBAAC730	E01	HBA FINISHED DOOR ASSEMBLY	1
15	HCAHW126	-	HCAHW LOWER PLATE	1
16	521045	-	SCREW; M6X10 PAN POZI BLK	2
17	521075	-	SCREW; M6X12 HEX ZP	6
18	521076	-	SCREW; M6X16 HEX ZP	4
19	521077	-	SCREW; M6X40 HEX ZP	4
20	521645	-	SCREW; S/T 8GX1/2" MUSH FLANGE POZI BLK	26
21	522611	-	NUT; RIVNUT THN/SHT M6X13.5	14
22	523004	-	WASHER; FLAT 1/4"X1/2"X1/16" FIBRE	4
23	523036	-	WASHER; FLAT 1/4"X5/8" BLK	8
24	524002	-	RIVET; 73 AS 4-3	7
25	526008	-	CLIP; STARLOCK M3	2
26	526009	-	CLIP; STARLOCK M4	2
27	585631	-	DECAL EARTH	1
28	587835	-	BADGE MASPORT HEATING	1
29	595695	-	DECAL "BURN ONLY" COMBINED NZ/AUS	1
30	594786	-	DECAL FAN OPERATION	1
31	MIC00376	-	MIC DOOR HANDLE	1
32	MIC00744	-	MIC HILO BADGE	1

AIRSLIDE, BAFFLE, BRICKS AND FIREBOX



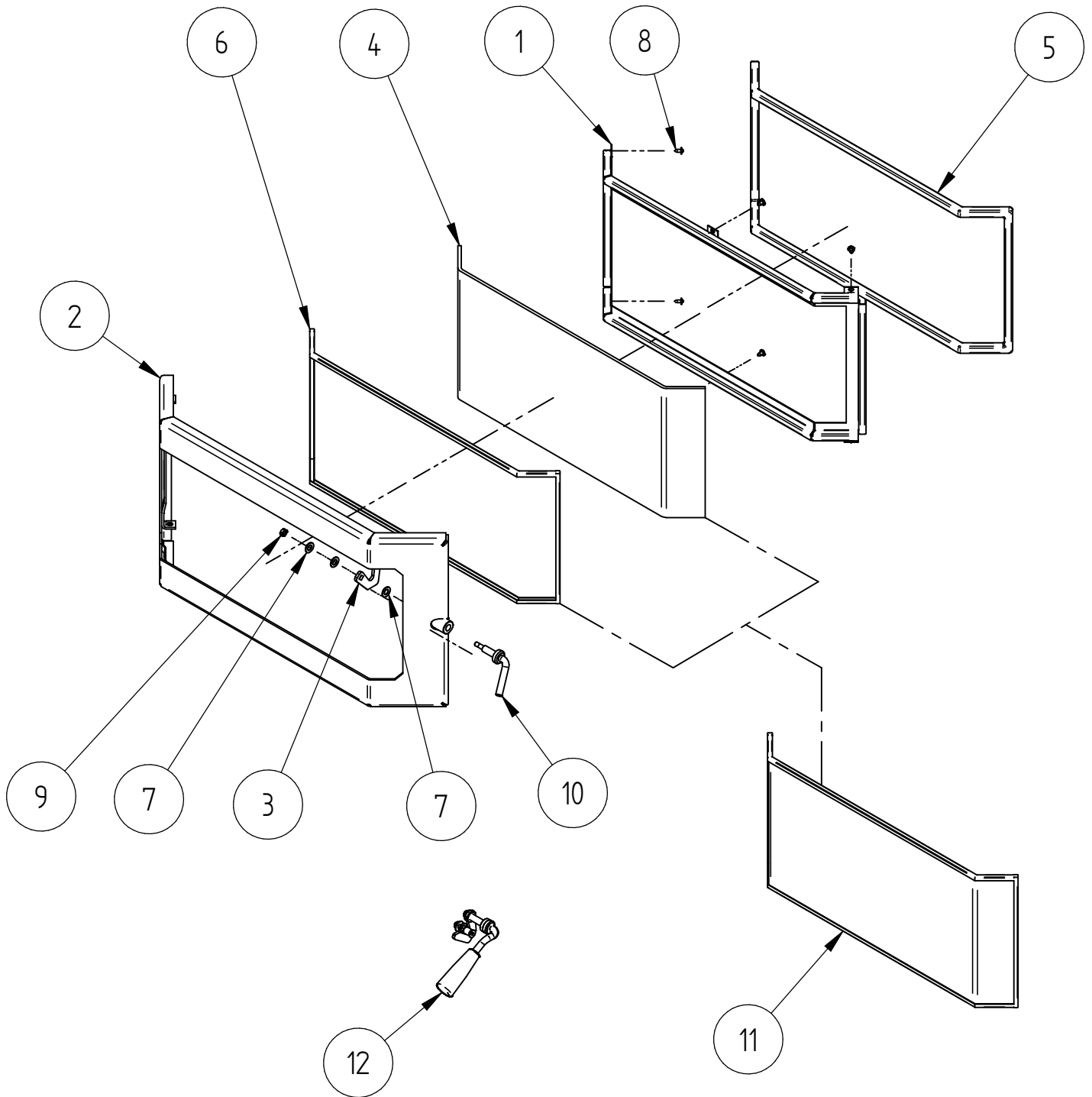
AIRSLIDE, BAFFLE, BRICKS AND FIREBOX							
Item	Part ID	Model(s)				Description	Qty
		HCAHWBK	992910	992917	992919		
1	HBA00116	-	-	-	-	HBA BAFFLE SUPPORT	2
2	ATN00130	-	-	-	-	ATN BODY MOUNT BRACKET	4
3	AIB00135	-	-	-	-	AIB WATER BOOSTER COVER PLATE	1
4	HCAHWAC004	-	-	-	-	HCAHW FIRE BOX ASSY	1
5	HBAAC102	-	-	-	-	HBA AIR DEFLECTOR COMPLETE	1
6	HCAAC109	-	-	-	-	HCA BAFFLE ASSY	1
7	HCA00136	-	-	-	-	HCA REAR AIR BAR ASSEMBLY	1
8	HBA00138	-	-	-	-	HBA FRONT AIR BAR ASSEMBLY	1
9	ATNAC190	-	-	-	-	ATN HINGE PLATE ASSEMBLY	1
10	ATNAC183	-	-	-	-	ATN STIFFENER & GUIDE SUB	1
11	ATN00183	-	-	-	-	ATN DOOR RIDDLE STIFFENER	1
12	HBA00118	-	-	-	-	HBA BRICK RETAINER	7
13	HCA00164	-	-	-	-	HCA SEC AIR CHANNEL	3
14	HCAHW036	-	-	-	-	HCAHW AIR SLIDE	1
15	521045	-	-	-	-	SCREW; M6X10 PAN POZI BLK	12
16	521054	-	-	-	-	SCREW; M6X20 HEX ZP	6
17	521058	-	-	-	-	SCREW; M6X25 HEX ZP	8
18	521060	-	-	-	-	SCREW; M6X35 HEX ZP	2
19	521075	-	-	-	-	SCREW; M6X12 HEX ZP	8
20	521632	-	-	-	-	SCREW; S/T M6X15 HEX FLANGE NIC TAPTITE	7
21	521814	-	-	-	-	SCREW; CAP M6X35 CSK ALLEN BLK	1
22	522117	-	-	-	-	NUT; HEX STD M6 ZP	10
23	523018	-	-	-	-	WASHER; FLAT 5/16"X5/8" BLK	4
24	523036	-	-	-	-	WASHER; FLAT 1/4"X5/8" BLK	6
25	525003	-	-	-	-	PIN; TENSION 5X24 BLK	2
26	526101	-	-	-	-	CLIP; R-CLIP 1.8 DIA ST	2
27	ATN00079	-	-	-	-	ATN DOOR CATCH PIN	1
28	HBA00129	-	-	-	-	HBA AIR DEFLECTOR SPACER	8
29	MIC00083	-	-	-	-	LOGAIRE METRO AIR SLIDE SPACER	2
30	MIC00123	-	-	-	-	MIC SEC AIR CHANNEL	2
31	MIC00354	-	-	-	-	MIC BRICK	7
32	MIC00375	-	-	-	-	MIC AIR SLIDE HANDLE	1

FIREBOX DETAILS



FIRE BOX							
Item	Part ID	Model(s)				Description	Qty
		HCAHWBK	992910	992917	992919		
1	HBA00103	-	-	-	-	HBA FIREBOX TOP	1
2	HCA00106	-	-	-	-	HESTIA CLEAN AIR FIREBOX WRAP	1
3	HBAHW107	-	-	-	-	HBAHW FIRE BOX BASE	1
4	PFS00120	-	-	-	-	PFS SPIGOT	1
5	MIC00137	-	-	-	-	MIC AIRBAR PIN	2
6	MET00429	-	-	-	-	FIREBOX BUSH - SPIGOTED	4

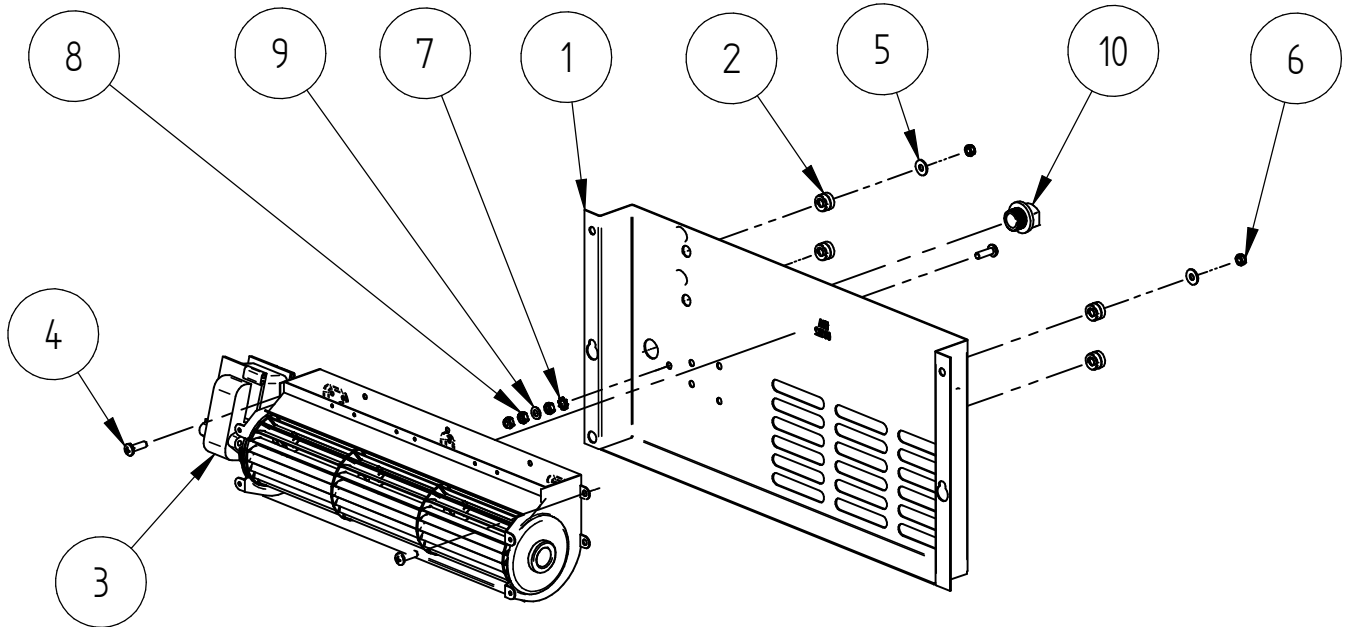
DOOR ASSEMBLY



DOOR ASSEMBLY							
Item	Part ID	Model(s)				Description	Qty
		HCAHWBK	992910	992917	992919		
		HBAAC730E01					
1	ATN00034	-	-	-	-	ATN GLASS RETAINER	1
2	HBAAC030	E01	E01	E01	E01	HBA DOOR FRAME COMPLETE	1
3	ATN00133	-	-	-	-	ATN DOOR LATCH PLATE	1
4	ATN00204	-	-	-	-	ATN GLASS	1
5	C16MMDR	-	-	-	-	DOOR ROPE 16MM X 50m ROLL (MTR)	1
6	C25MMLT	-	-	-	-	LADDER TAPE 25x3x50m ROLL (MTR)	1
7	523018	-	-	-	-	WASHER; FLAT 5/16"X5/8" BLK	4
8	521627	-	-	-	-	SCREW; S/T 8GX3/8" MUSH FLANGE POZI BLK	6
9	522117	-	-	-	-	NUT; HEX STD M6 ZP	1
10	MIC00373	-	-	-	-	DOOR SPINDLE	1
11	ATN99204	-	-	-	-	ATN 1999 GLASS/TAPE	1
12	ATNACDH	-	-	-	-	ATN DOOR HANDLE ASSEMBLY KIT	1

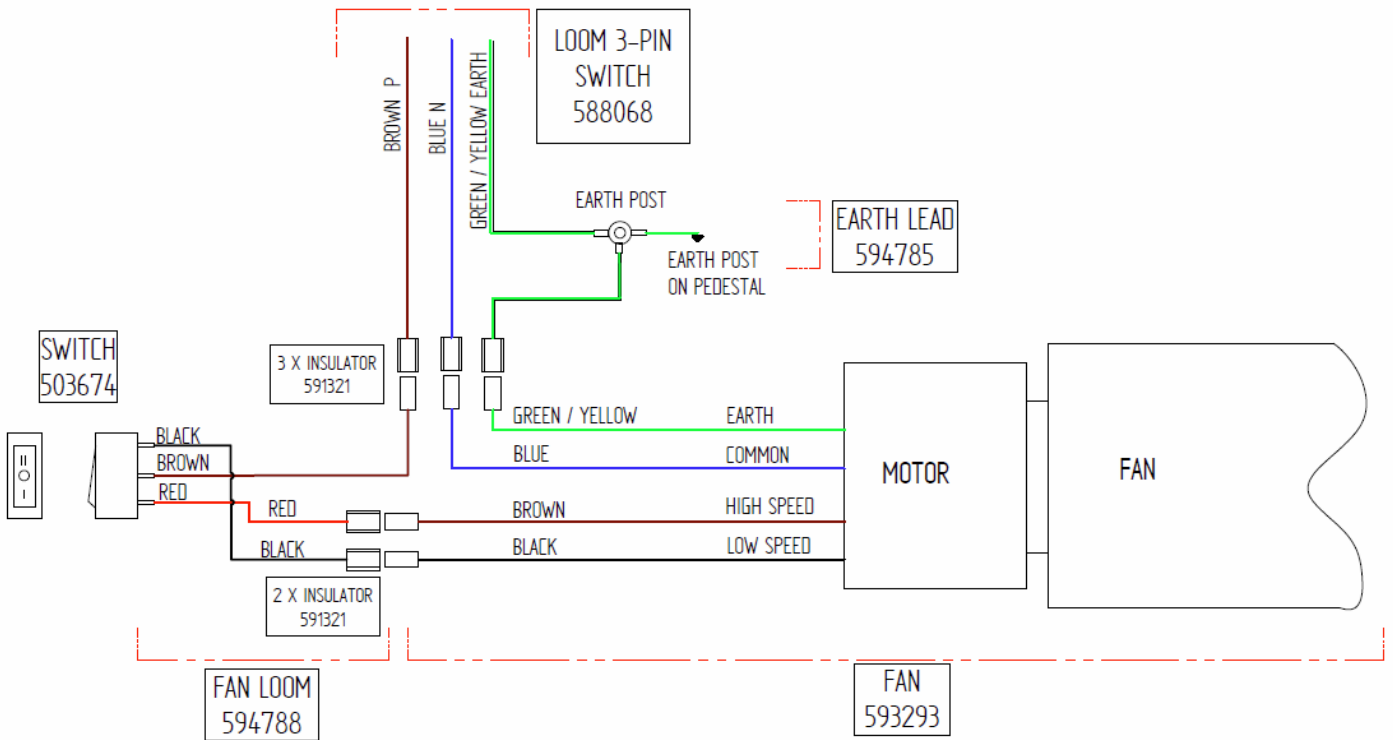
*Optional Sale Kit

FAN BOX ASSEMBLY

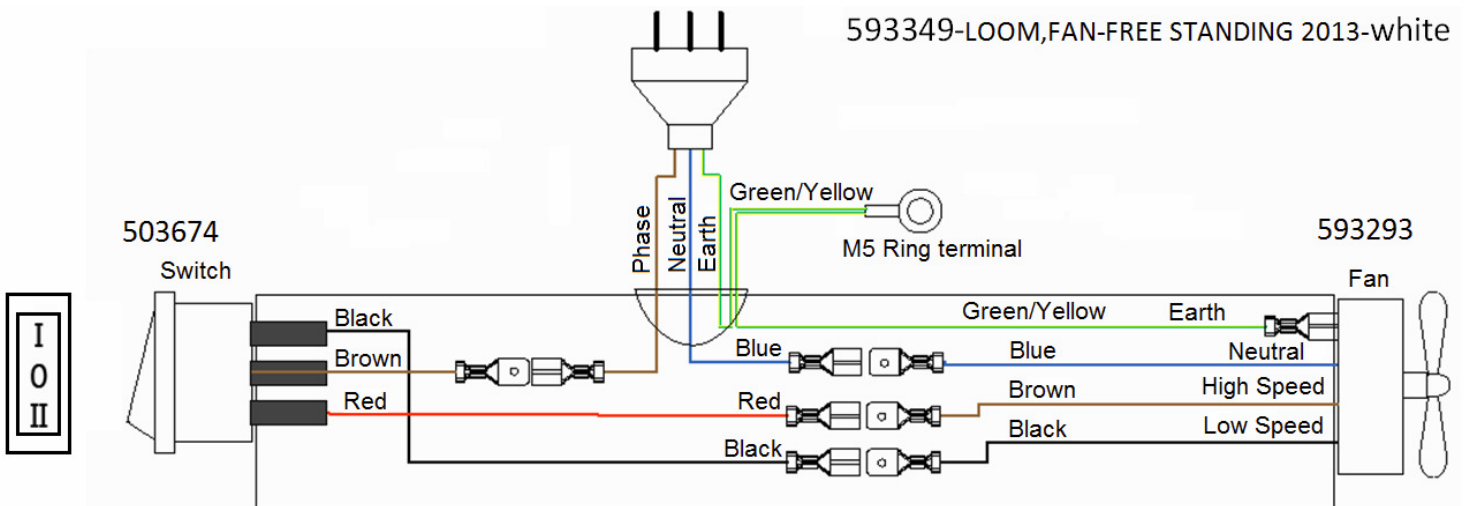


HESTIA FAN BOX ASSEMBLY							
Item	Part ID	Model(s)				Description	Qty
		HCAHWBK	992910	992917	992919		
1	HBA00182	-N/A.-	-N/A.-	P02	P02	HOUSING FAN HESTIA	1
2	529402			-	-	GROMMET; 14X6	4
3	593293			-	-	FAN-2 SP TANG W/F INB FER GAS 76118	1
4	521033			-	-	SCREW; M5X16 PAN POZI BLK	3
5	523000			-	-	WASHER; FLAT 3/16"X1/2"X18G ZP	2
6	522305			-	-	NUT; NYLOCK M5 ZP	3
7	523204			-	-	WASHER; STAR M5 EXT	1
8	522106			-	-	NUT; HEX STD M5 ZP	2
9	523028			-	-	WASHER; FLAT M5 BRS	1
10	529201			-	-	CLAMP; CABLE 16 LITTLE GRIPPER	1

FAN LOOM DIAGRAM



FAN WIRING DIAGRAM W/F FREESTANDING 2011-2013 (AUSTRALIAN MODELS ONLY)



FAN WIRING DIAGRAM W/F FREESTANDING 2013 ONWARDS

NOT ILLUSTRATED							
Item	Part ID	Model(s)				Descriptions	Qty
		HCAHWBK	992910	992917	992919		
1	HCABRICK	-N/A-	-	-	-	INSTRUCTION - BRICK LAYOUT	1
2	593286	-N/A-	-	-	-	OWNER MANUAL WOODFIRES	1
3	593287	-N/A-	-	-	-	INSTALL MANUAL WOODFIRES	1
4	594798	-N/A-	-N/A-	-	-N/A-	INSTRUCTION HESTIA PED/FAN ASSY	1
5	HCA0738	-	-	-	-	HCA 2 & HCAHW INSTALLATION DATA SHEET MASPORT	1
6	MIC00739	-	-N/A-	-N/A-	-N/A-	LOGAIRE OPERATION INSTRUCTION	1

SURFACE FINISH CODES FOR PANELS

VITREOUS ENAMEL		VHT PAINT(Very High Temp)			POWDER COAT	
E01	MATT BLACK	V02	P-000022	METALLIC BLACK	P02	MATT BLACK
E02	GLOSS BLACK	V03	P-000043	CHARCOAL	P03	CHARCOAL
E03	CHARCOAL	V04	P-000081	TITANIUM	P05	SATIN BLACK
		V05	P-000051	CHARCOAL (DAM MET BLK)	P09	METTALIC BLACK
		V06	P-000052	METALLIC BLACK ZINC		

LESS FREQUENTLY OR OLD SURFACE FINISH CODES FOR PANELS

VITREOUS ENAMEL		VHT PAINT(Very High Temp)			POWDER COAT	
E04	JASMINE	V01		SATIN BLACK HIGH TEMP	P01	BLUE/BLACK
					P04	GLOSS CHARCOAL
					P07	FLAT BLACK